



# 400 Series

## 404C-22

### Industrial Open Power Unit

37.0 kW/49.6 bhp



#### Outstanding performance

- 38.0 kW (51.0 bhp) performance from a compact complete radiator cooled unit.
- Torque backup has risen to over 18%, providing excellent responsiveness when load is increased
- Durability and reliability have been enhanced through product design and process improvements
- A new governor, valve seat inserts and new compliance testing deliver reliability and 6000 hours durability
- Standard two year warranty demonstrates our confidence in the engine

#### Clean and quiet

- Full-load smoke emissions levels are invisible to the naked eye, measuring less than 2 Bosch
- Noise levels have been kept to a minimum. Subjective harshness has also been controlled, making the engine sound even quieter

#### Compact fit

- The open power unit benefits from a compact engine design combined with a newly designed more compact radiator package
- The air filter position has also been lowered to further improve compactness

#### Low operating costs

- Oil and filter changes are now set at 500 hours as standard
- Engine durability and reliability, the warranty offering, and ease of installation combine to drive down the cost of ownership

#### Product support

- Total worldwide service is provided through 4000 service points around the world

The 400 Series compact engine family has been developed alongside customers to fulfil their needs in the construction, materials handling, agricultural/turf, genset and compressor markets, becoming the latest class-leading diesel range from Perkins.

Built to the most demanding standards, the 400 Series engines meet all the requirements of EC Stage 2 and USA EPA Tier 2 off-highway emissions legislation and bring significant improvements over their predecessors.

Perkins IOPUs offer the advantages of an industrial engine, with the convenience of a cost effective cooling and filtration solution. This minimises machine development time and costs, and enables applications to be powered with ease.

The 404C-22 IOPU is a powerful but quiet 2.2 litre packaged unit. It delivers impressive performance with low operating costs in a small, efficient package ideal for a range of industrial applications.

Performance Data	Net Intermittent (ISO/TR 14396)	Speed (rev/min)
Power Output (kW)	37.0	3000
Power Output (kW)	49.6	3000
Power Output (kW)	140.6	1800
Power Output (kW)	103.7	1800

Power output for a run-in engine after 60 hours.

Photographs are for illustrative purposes only and may not reflect final specification.

# 400 Series

## 404C-22

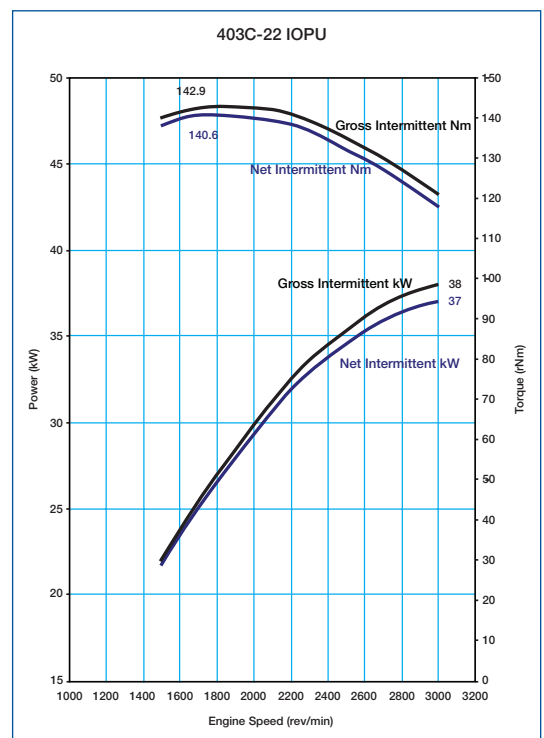
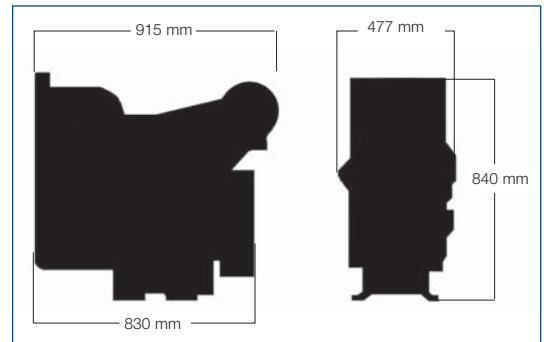
### Engine Specification

- Cast iron engine block
- SAE Flywheel size 6½
- SAE 5 flywheel housing
- Fuel injection pump
- Fuel filter
- Glow plug starting aid
- Lub oil sump
- Spin on lub oil filter
- Inlet manifold
- Cast iron exhaust manifold – side outlet
- Coolant pump belt driven
- Mounted radiator and fan
- Mounted air cleaner
- Starter motor 12 volt
- Alternator 12 volt 65 amp
- ESOS
- Lub oil pressure switch
- Coolant temperature switch

### General Data

Number of cylinders	4 in-line
Bore and stroke	84 x 100 mm
Displacement	2.2 litres
Aspiration	Natural
Cycle	4 stroke
Combustion system	Indirect injection
Compression ratio	23.3:1
Engine rotation	Anti-clockwise viewed on flywheel
Cooling system	Pressurised water
Total lubrication capacity	10.6 litres
Total coolant capacity	6.98 litres
Dimensions	Length 915 mm Width 477 mm Height 840 mm
Dry weight	218 kg

Final weight and dimensions will depend on completed specification.



Lower speed ratings cannot be read from this curve.

### Option Groups

A selection of optional items is available to enable the customer to prepare a specification precisely matched to their needs.



### Perkins Engines Company Limited

Peterborough PE1 5NA  
United Kingdom  
Telephone +44 (0)1733 583000  
Fax +44 (0)1733 582240  
[www.perkins.com](http://www.perkins.com)

All information in this document is substantially correct at time of printing and may be altered subsequently  
Publication No. 1778/10/05 Produced in England ©2005 Perkins Engines Company Limited

Distributed by